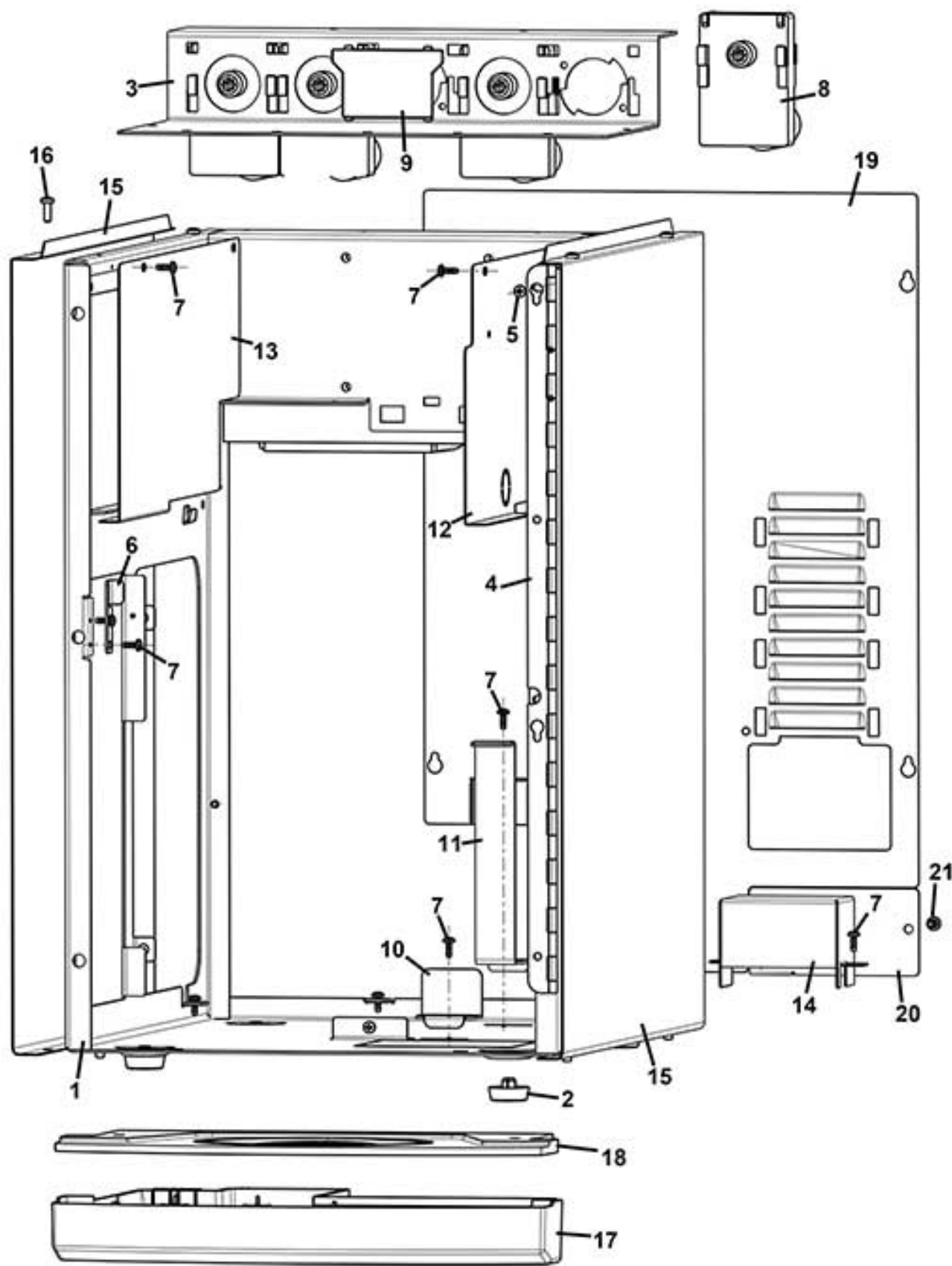


vending machine

[ EC I ]

spare parts manual

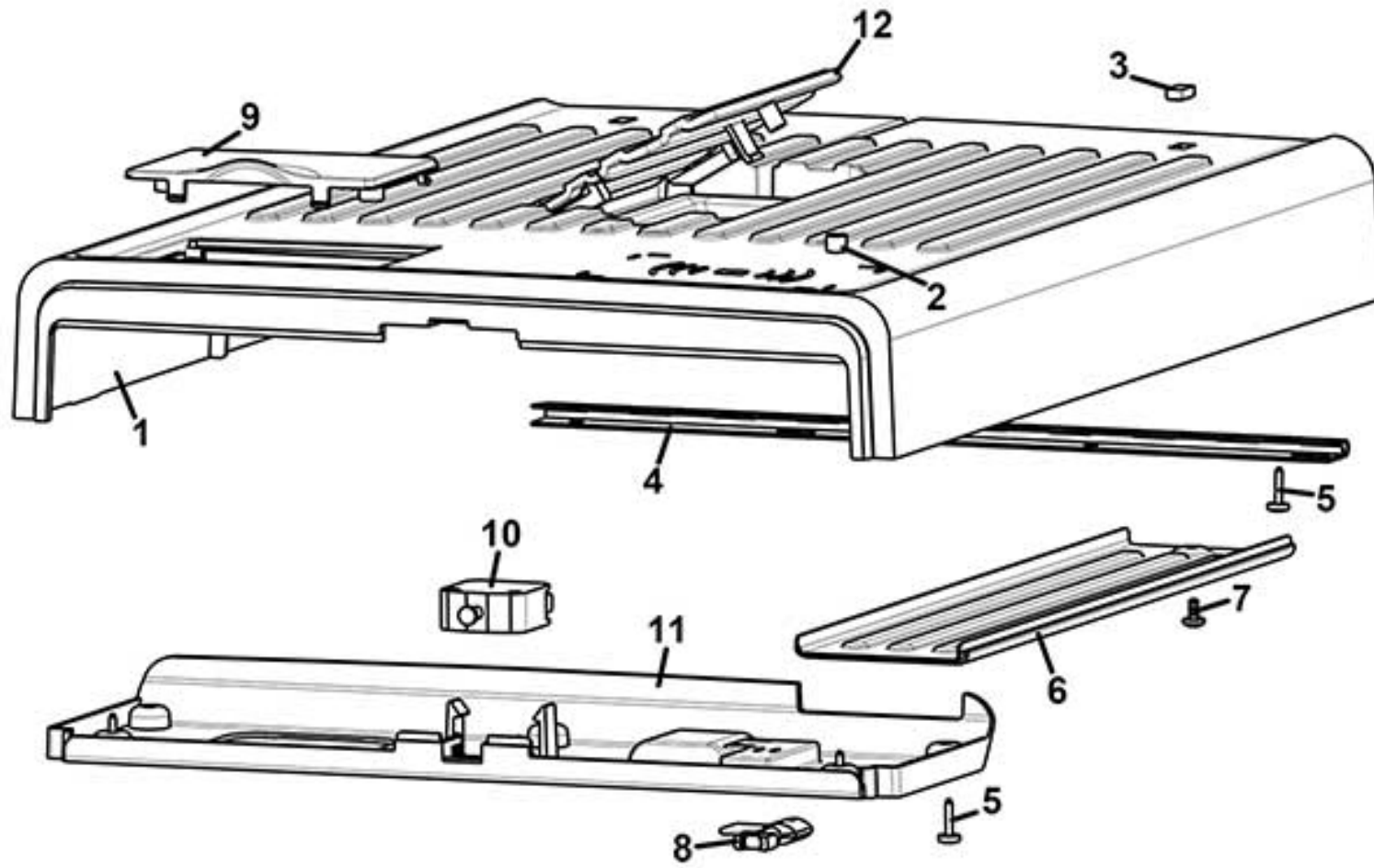


EC I

CABINET

Pos. Code	Description
1 0010028249NA-03	CABINET (BLACK)
2 GUA0011011	D.25 SELFLOCKING FEET WITH PIN
3 0010028289NA	
4 0010028153	DOOR HINGE
5 VIT0002010	3,5x9,5 TAPPING SCREW
6 0010028284	DOOR CLOSING PLATE
7 VIT0002401	SCREW TCB 3.5 x 9.5
8 0090002113	24V DC 97RPM PRODUCT GEAR MOTOR
9 0010020029NA	BLACK GEAR MOTOR COVER
10 0010020719	FIXING BOILER PLATE
11 0010028285	
12 0010028238NA	RIGHT COVER (BLACK)
13 0010028287NA	
14 0010028237	EXHAUST COVER
15 0010028243NA	RIGHT-LEFT SIDE (BLACK)
16 VIT0000012	SCREW T.C.B. M 4 x 10
17 0010028282CL	WATER TRAY + CONTACTS
18 0010028281CM	WATER COLLECTION TRAY GRATE (MERCEDES GREY RAL 9006)
19 0010028172NA	REAR DOOR (BLACK)
20 0010028239NA	BOILER OUTLET REAR DOOR (BLACK)
21 4060010126	PLASTIC COIN DRAWER BOX

EC I UPPER  
COVER

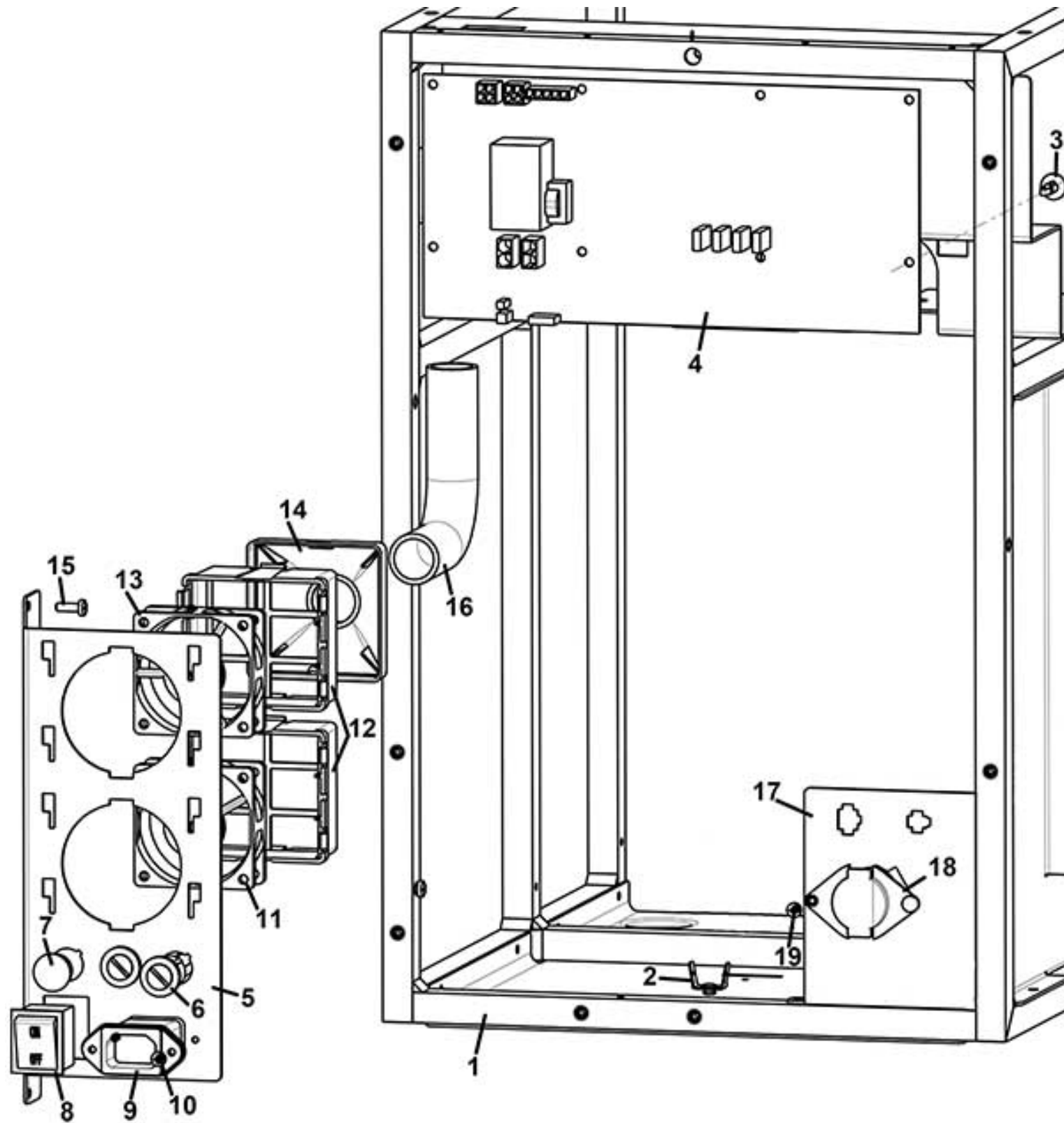


## EC I

## UPPER COVER

Pos. Code	Description
1 0010028276CM	UPPER COVER (MERCEDES GREY RAL 9006)
2 0010027344	RING PLUG
3 0010027343	RING SUPPORT PLUG
4 0010028158	UPPER COVER HINGE
5 VIT0002469	SCREW TC 3.5 x 10
6 0010028280CG	CABLES COVER (LIGHT GREY RAL 7035)
7 VIT0002009	SCREW T.C.B. 3,5 x 6,5
8 0270011109IC	ORANGE SERVICE KEY
9 0010028279CM	DEK. COVER (MERCEDES GREY RAL 9006)
10 ELE0002019	DOOR SWITCH 16A-250V UL
11 0010028277CG	UPPER COVER CLOSING (LIGHT GREY RAL 7035)
12 0010028283CM	WATER INLET DOOR (MERCEDES GREY RAL 9006)

EC I  
REAR CABINET (UNPLUMBED VERSION)

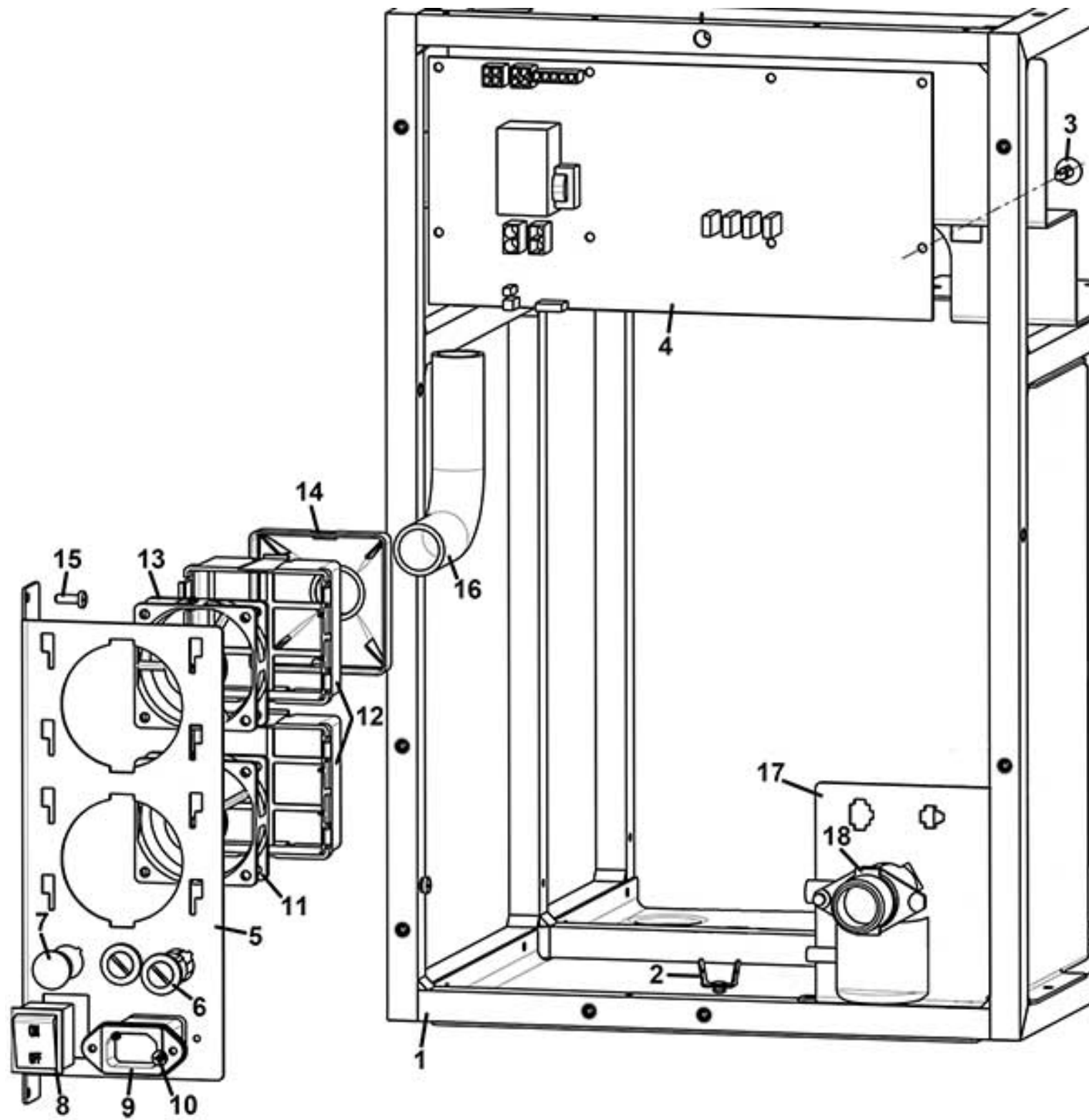


## EC I

## REAR CABINET (UNPLUMBED VERSION)

Pos. Code	Description
1 0010028249NA-03	CABINET (BLACK)
2 ELE0060520	GROUND PIN
3 ELE0062013	PIN BOARD SUPPORT
4 SCH0008962	CPU/POWER BOARD
5 0130013061	ELECTRIC COMPONENTS SUPPORT
6 ELE0003508CL	FUSES HOLDER + FUSES
7 GUA0011010	PLUG
8 ELE0002014CL3	BIPOLAR SWITCH 15A 250V-ON/OFF- 3 CABLES
9 ELE0002315	SOCKET 115/250V 10A WITH FILTER
10 VIT0002010	3,5x9,5 TAPPING SCREW
11 ELE0000462	AXIAL FAN 24DC-LOWER SPEED
12 0010027064	FAN COVER
13 ELE0000461	AXIAL FAN 24DC- HIGH SPEED
14 0010027065	FAN CONNECTION
15 VIT0002401	SCREW TCB 3.5 x 9.5
16 TEOL000001CL1	SPIRAL PIPE D.20 L.170MM
17 0010028286	WATER VALVE SUPPORT
18 0010020839	INLET VALVE COVER HOLE
19 VIT0002401	SCREW TCB 3.5 x 9.5

EC I  
REAR CABINET (PLUMBED VERSION)

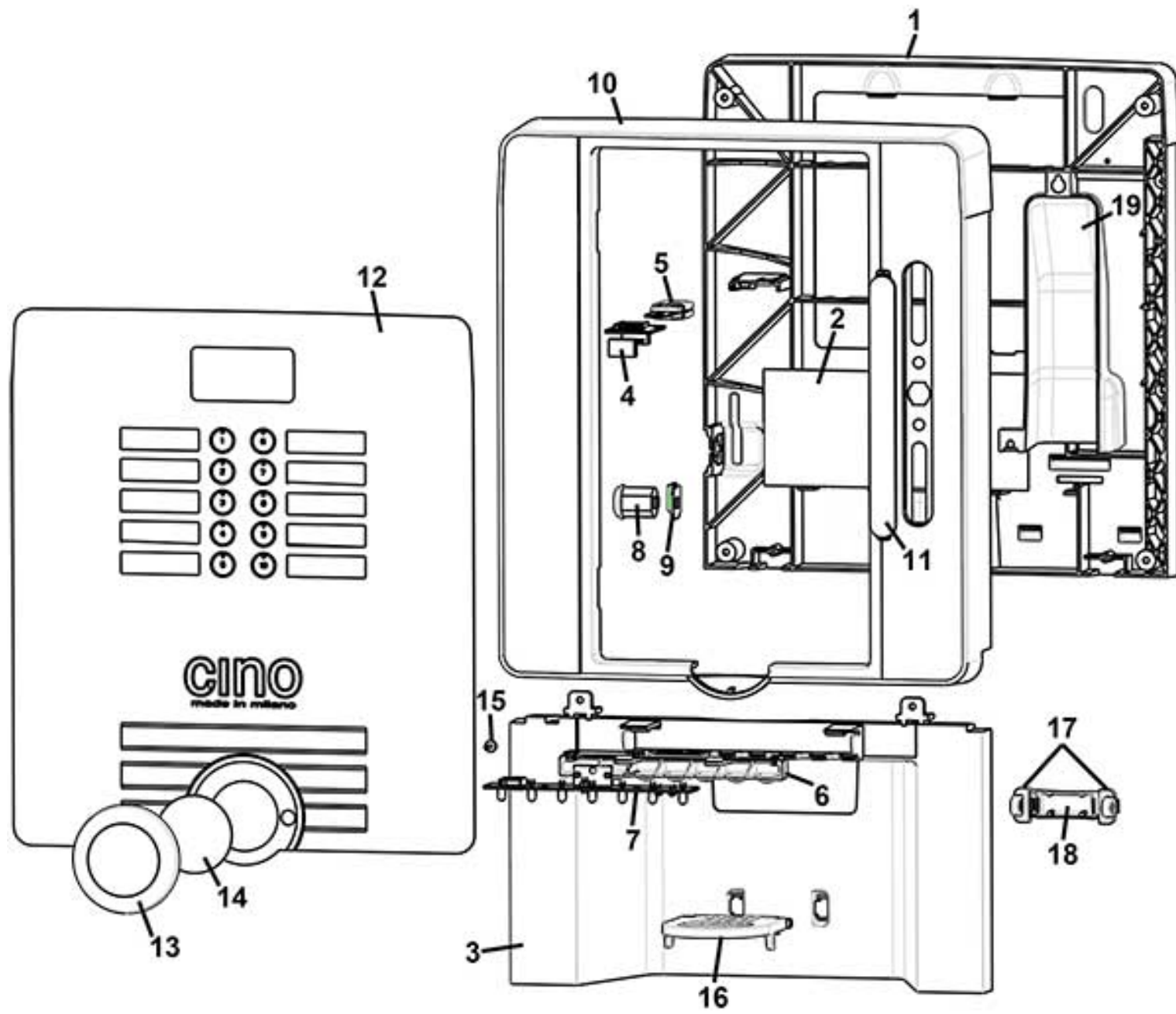




## EC I

## REAR CABINET (PLUMBED VERSION)

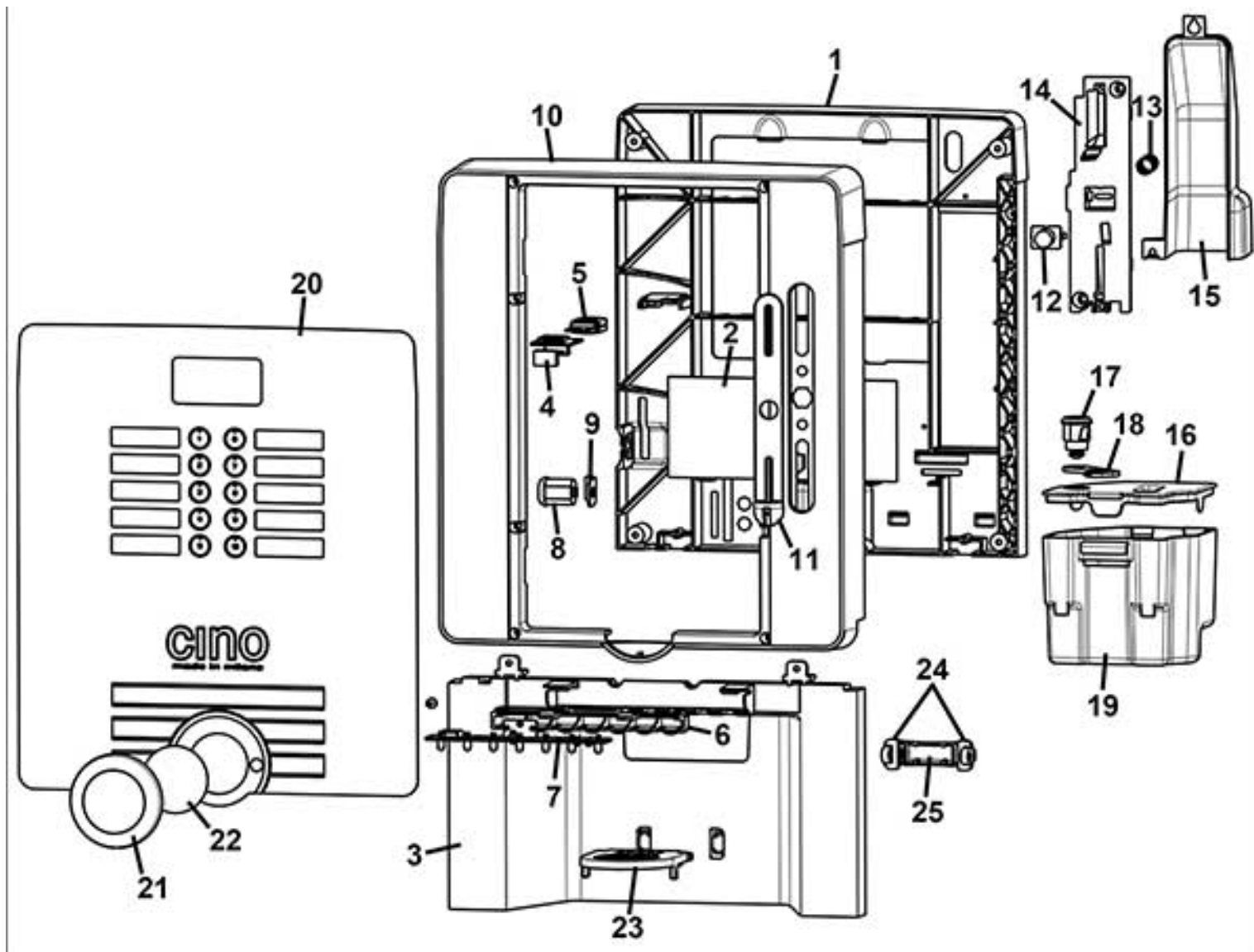
Pos. Code	Description
1 0010028249NA-03	CABINET (BLACK)
2 ELE0060520	GROUND PIN
3 ELE0062013	PIN BOARD SUPPORT
4 SCH0008962	CPU/POWER BOARD
5 0130013061	ELECTRIC COMPONENTS SUPPORT
6 ELE0003508CL	FUSES HOLDER + FUSES
7 GUA0011010	PLUG
8 ELE0002014CL3	BIPOLAR SWITCH 15A 250V-ON/OFF- 3 CABLES
9 ELE0002315	SOCKET 115/250V 10A WITH FILTER
10 VIT0002010	3,5x9,5 TAPPING SCREW
11 ELE0000462	AXIAL FAN 24DC-LOWER SPEED
12 0010027064	FAN COVER
13 ELE0000461	AXIAL FAN 24DC- HIGH SPEED
14 0010027065	FAN CONNECTION
15 VIT0002401	SCREW TCB 3.5 x 9.5
16 TEOL000001CL1	SPIRAL PIPE D.20 L.170MM
17 0010028286	WATER VALVE SUPPORT
18 0110001058	24V INLET SAFETY VALVE



## EC I

## DOOR

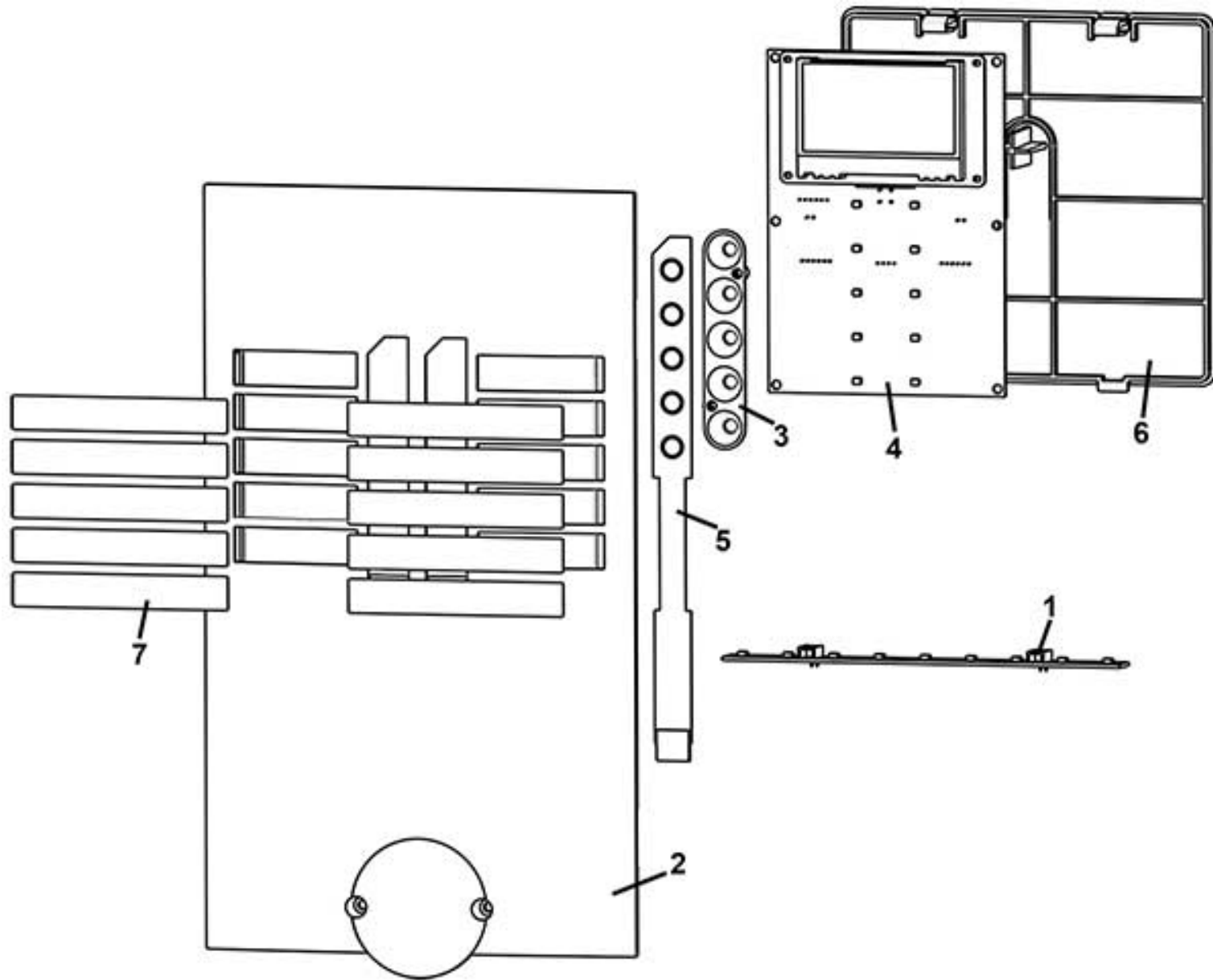
Pos. Code	Description
1 0020037657NA	DOOR STRUCTURE (BLACK)
2 0020037659	LED REFLECTING ADHESIVE LABEL
3 0020037652CM	CUPS STATION (MERCEDES GREY RAL 9006)
4 SCH0005860	FLASH BOARD
5 0020040310CL	RHEA FLASH MEMORY
6 0020039078TR	DELIVERY LIGHTING SUPPORT (TRANSPARENT)
7 SCH0008141	LOGO CUP STATION LIGHTING BOARD
8 SER0000028	BOX5 DT 20 mm LOCK WITH RING
9 0010028157	LOCK BRACKET
10 0020037653CM	DOOR FRONTAL FRAME (MERCEDES GREY RAL 9006)
11 0020039416	COIN MECH BLANKING PLATE
12/a 0020037530	FRONTAL PANEL WHITE
12/b 0020037532	FRONTAL PANEL BLACK
13 0020039084CL	DOOR LOGO FRAME
14 0020039101	ADHESIVE LOGO
15 VIT0002469	SCREW TC 3.5 x 10
16/a 0020039072TR-01	CUPS SUPPORT (TRANSPARENT)
16/b 0020039072NA-01	CUPS SUPPORT (BLACK)
17/a 0020039073CM	CUPS SUPPORT PIN (MERCEDES GREY RAL 9006)
17/b 0020039073NA	CUPS SUPPORT PIN (BLACK)
18 0020039087IC	CUPS SUPPORT LOCK (ORANGE RAL 2011)
19 0020037656NA	COIN MECH. PROTECTION (BLACK)



EC I

COIN BOX MECHANISM DOOR

Pos. Code	Description
1 0020037657NA	DOOR STRUCTURE (BLACK)
2 0020037659	LED REFLECTING ADHESIVE LABEL
3 0020037652CM	CUPS STATION (MERCEDES GREY RAL 9006)
4 SCH0005860	FLASH BOARD
5 0020040310CL	RHEA FLASH MEMORY
6 0020039078TR	DELIVERY LIGHTING SUPPORT (TRANSPARENT)
7 SCH0008141	LOGO CUP STATION LIGHTING BOARD
8 SER0000028	BOX5 DT 20 mm LOCK WITH RING
9 0010028157	LOCK BRACKET
10 0020037653CM	DOOR FRONTAL FRAME (MERCEDES GREY RAL 9006)
11 0020035031CM	COIN BOX TAB (MERCEDES GREY RAL 9006)
12 0020035033CM	COIN RETURN BUTTON RAL 9006
13 0020035034	COIN RETURN BUTTON SPRING
14 0020035032NA	BLACK COIN MECHANISM SUPPORT
15 0020037656NA	COIN MECH. PROTECTION (BLACK)
16 0030010212NA	COIN BOX COVER
17 SER0000015	LOCK *
18 0020037128	COIN BOX HOOK
19 0030010211NA	COIN BOX
20/a 0020037530	FRONTAL PANEL WHITE
20/b 0020037532	FRONTAL PANEL BLACK
21 0020039084CL	DOOR LOGO FRAME
22 0020039101	ADHESIVE LOGO
23/a 0020039072TR-01	CUPS SUPPORT (TRANSPARENT)
23/b 0020039072NA-01	CUPS SUPPORT (BLACK)
24/a 0020039073CM	CUPS SUPPORT PIN (MERCEDES GREY RAL 9006)
24/b 0020039073NA	CUPS SUPPORT PIN (BLACK)
25 0020039087IC	CUPS SUPPORT LOCK (ORANGE RAL 2011)

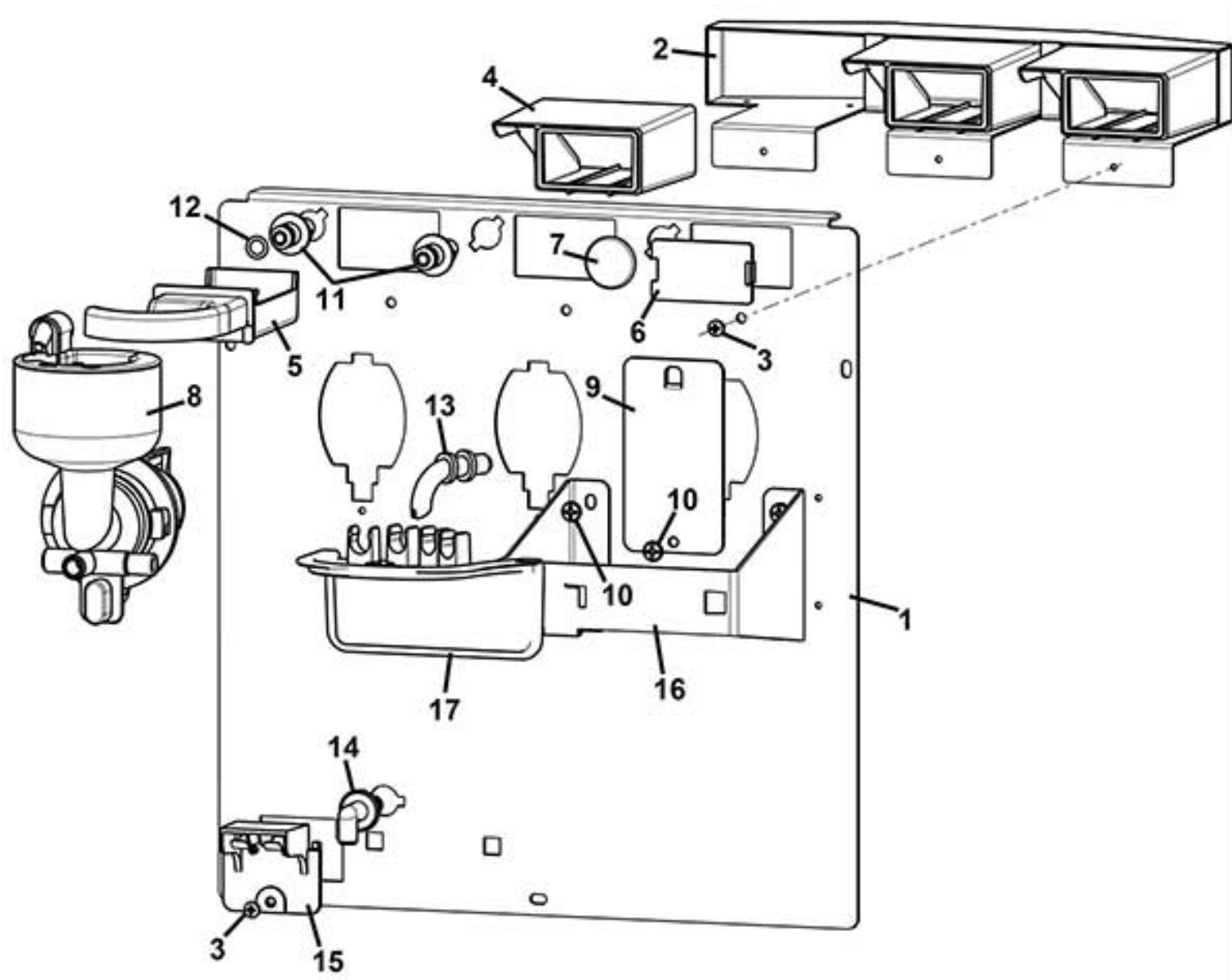


EC I

LIGHTING GLASS

Pos. Code	Description
1 SCH0008160	FRONTAL PANEL LIGHTING BOARD
2 0020037654TR	FRONT PANEL GLASS (TRANSPARENT)
3 0020039079NA	BUTTONS LIGHT GUIDE (BLACK)
4 SCH0008980CL	ASSEMBLED DISPLAY
5 ELE0000470	RIGHT KEYBOARD-5 BUTTONS
6 0020037655IC	UPPER INTERNAL DOOR COVER (ORANGE RAL 2011)
7	PLEASE BE SO KIND TO SPECIFY THE LANGUAGES AND THE CONFIGURATION DESIRED

EC I  
MIXER PLAN (INSTANT VERSION)

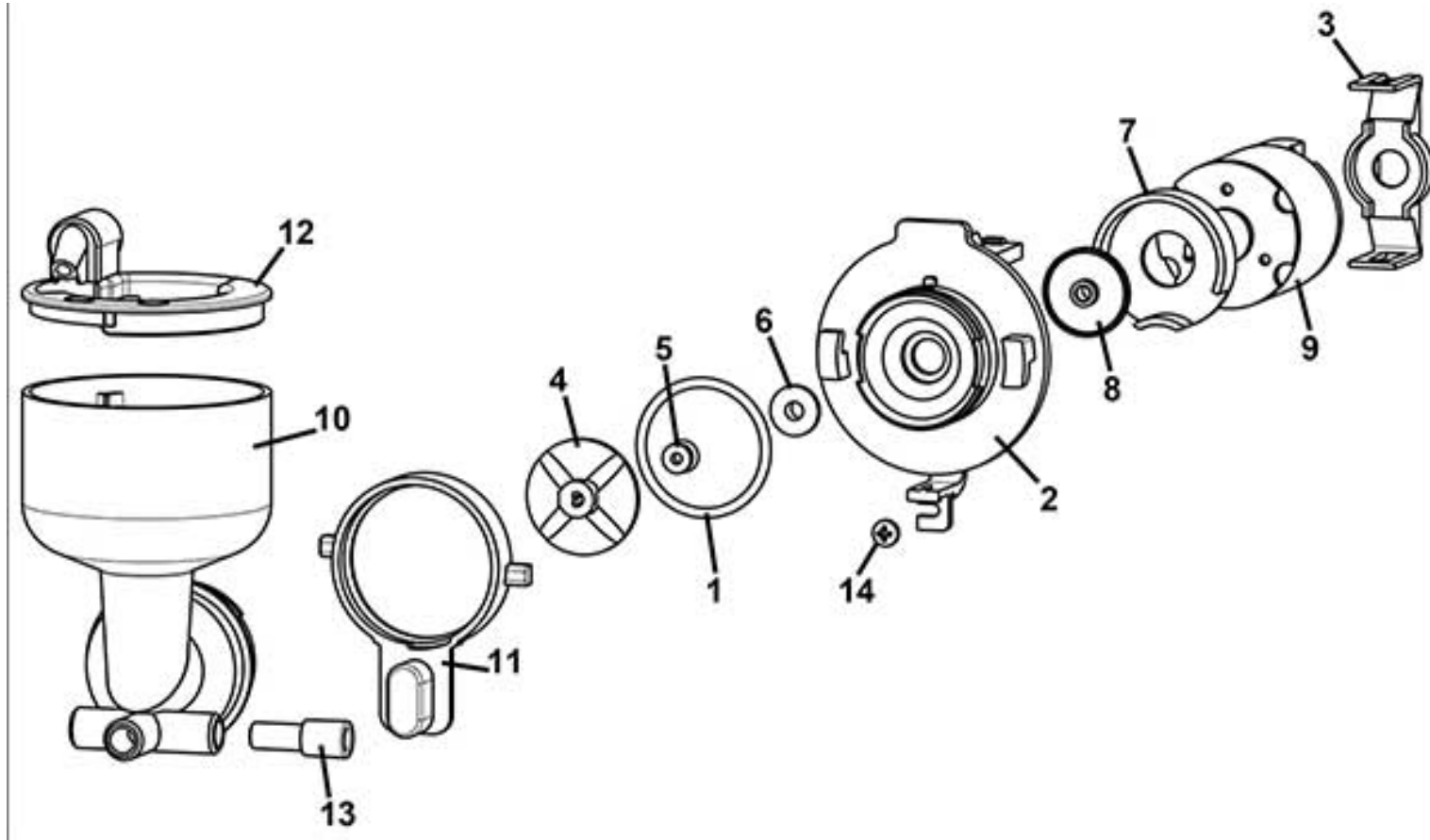




## EC I

## MIXER PLAN (INSTANT VERSION)

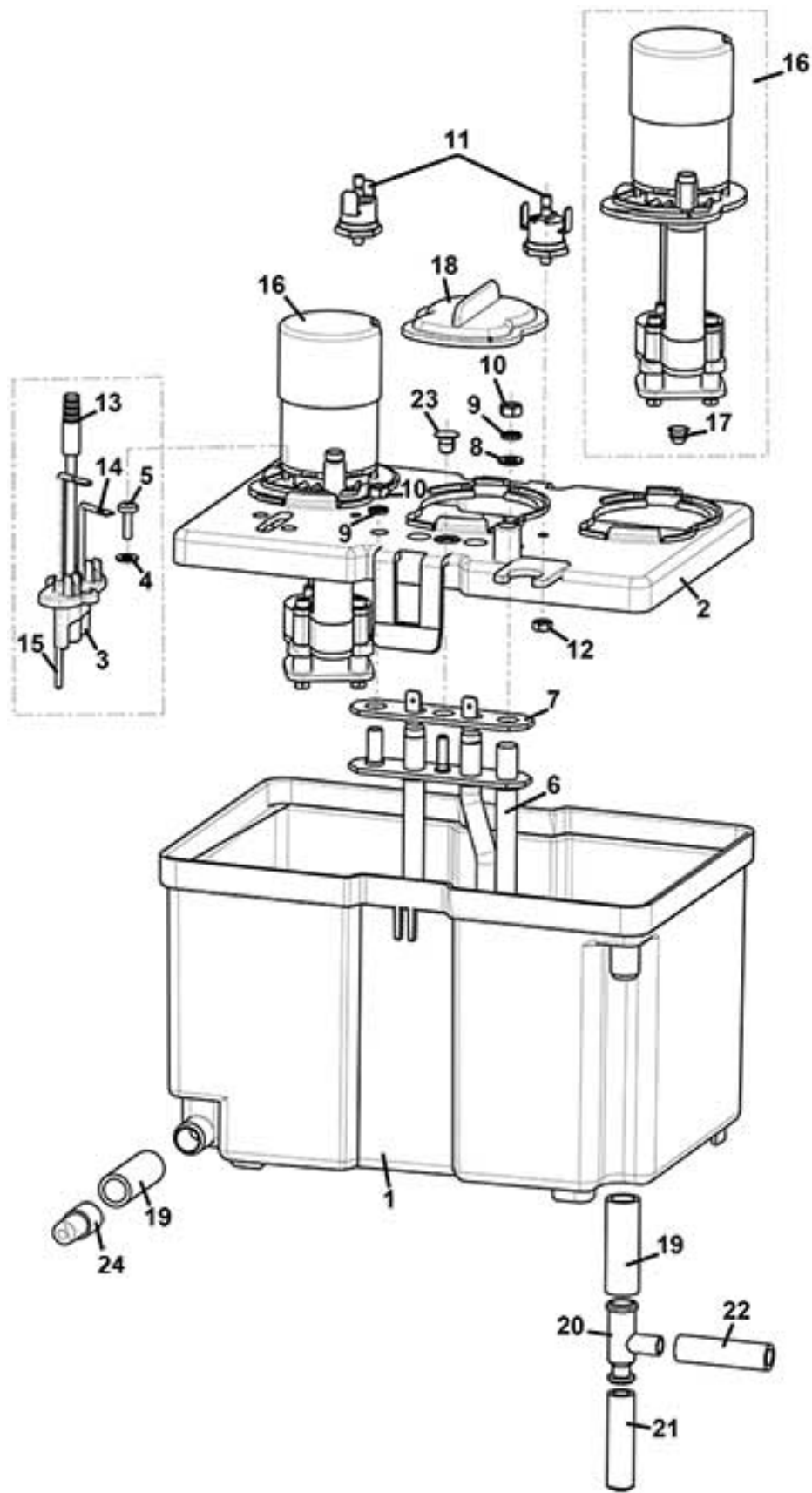
Pos. Code	Description
1 0070030361NA	INSTANT 3 MIXERS SUPPORT
2 0010028258	SOLUBLE EXHAUST SUPPORT
3 VIT0002009	SCREW T.C.B. 3,5 x 6,5
4 0010027214	EXHAUST DRAWER
5 0010027022	EXTERNAL EXHAUST DRAWER
6 0010027039NA	EXHAUST DRAWER PLUG (BLACK)
7 0080100035NA	BLACK PLUG
8	See table MIXER
9 0010020028NA	BLACK MIXER PLUG
10 VIT0002401	SCREW TCB 3.5 x 9.5
11 0080100043	WATER OUTLET
12 GUA0000085	SILICONE GASKET 106
13 0010020052	SPOUT DELIVERY
14 0080100084	90° CONNECTION
15 0010020836CL	TRAY CONTACTS SUPPORT ASSEMBLY
16 0380020003NA-01	PIPES SUPPORT ASSEMBLED (BLACK)
17 0380020001NA	6 PRODUCT PIPES SUPPORT (BLACK)



EC I

MIXER

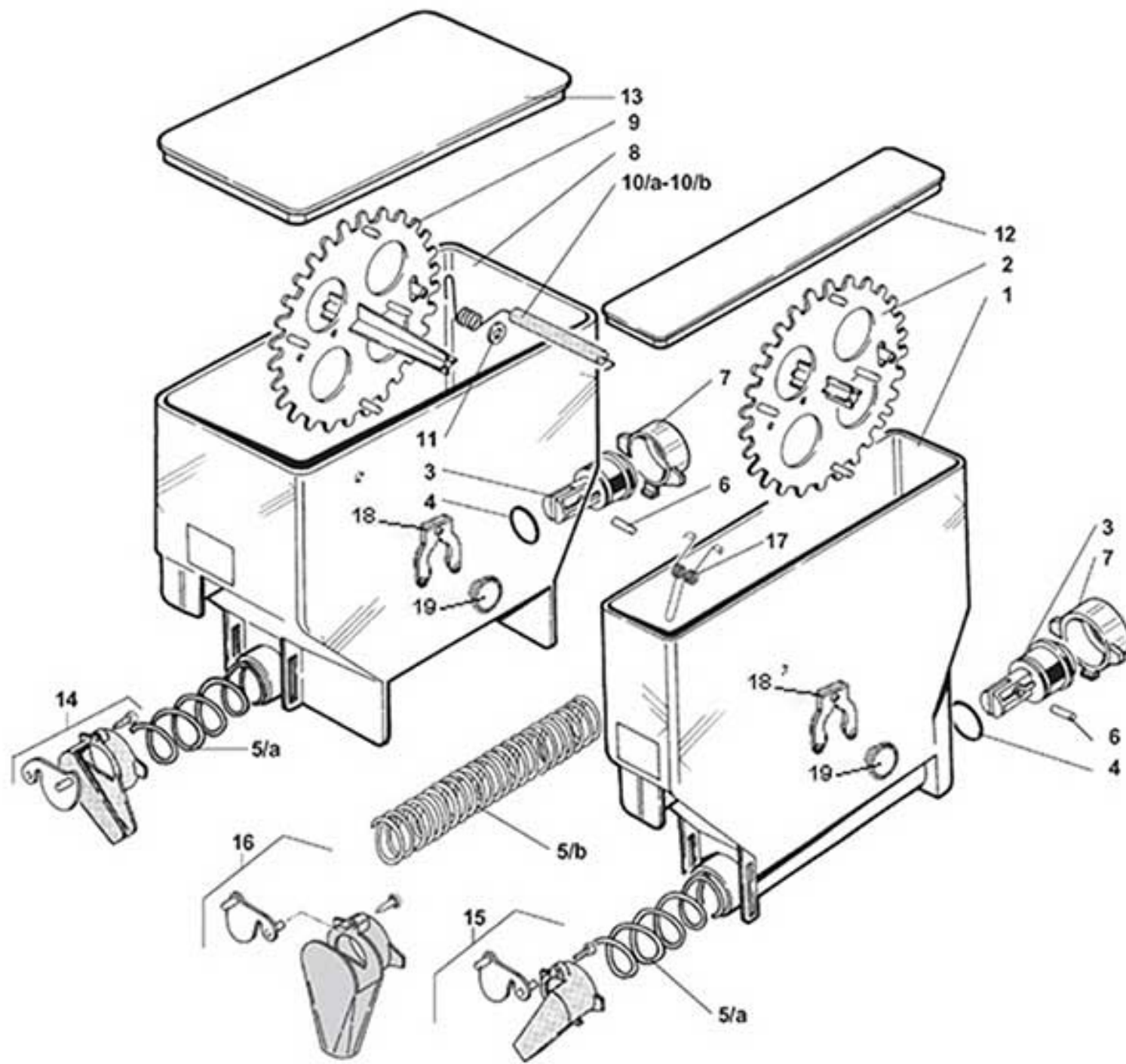
Pos. Code	Description
1 GUA0000084	GASKET 3131
2 0080100005	MIXER BASE
3 0080100009IC	ORANGE MOTOR CONNECTION COVER
4 0080100011	SMALL FAN MIXER SHAFT D.4
5 0080100101	MIXER GASKET - SHAFT D.4
6 0080100015	MIXER BASE BUSH
7 0080100023IC	ORANGE MIXER COVER
8 0080100024	DRIP TRAP FAN
9 0090003023	24 V DC MIXER MOTOR SHAFT D.4
10/a 0080200110L	MIXER BODY W/O INLET W/LINE LEFT
10/b 0080200111R	MIXER BODY W/O INLET W/LINE RIGHT
10/c 0080200112C	MIXER BODY W/O INLET W/LINE CENTER
11 0080100006IC	ORANGE STOPPER RING
12 0080100042	MIXER RING WITH INLET PIPE
13 0080100095	COFFEE OUTLET REDUCTION D.4
14 VIT0002401	SCREW TCB 3.5 x 9.5
100 0080100001R	MIXER BASE+MOTOR ASSEMBLY <span style="float: right;">assieme</span>



EC I

BOILER

Pos. Code	Description
1 0600016401R	BOILER TANK + COVER
3 0600016089	TRANSPARENT PROBE SUPPORT
4 VIT0003211	STAINLESS STEEL FLAT WASHER D.4,3 x 9 x 0,8
5 VIT0001005	SCREW T.C.B. M 4 x 12
6 0600016137R	ASSEMBLED 1300W 230V HEATING ELEMENT WITH INTEGRATED THERMOFUSE
7 0600016084	HEATING ELEMENT GASKET
8 VIT0003203	STAINLESS STEEL FLAT WASHER D.5.3 x 10 x 1
9 VIT0003111	WASHER D.5,3
10 VIT0004804	STAINLESS STEEL NUT M5
11 ELE0000965	MANUAL RESET THERMOSTAT 88°C
12 VIT0004816	STAINLESS STEEL NUT M4
13 ELE0000963R	SOLUBLE PROBE+CONTACTS
14 0600016054	MAX WATER LEVEL PROBE
15 0600016053	WATER PROBE
16 0600016405R	BOILER PUMP ASSEMBLY
17 0080100101	MIXER GASKET - SHAFT D.4
18 0600016422	COVER FOR HOLE PUMP
19 TSIL10/14T	TRANSPARENT SILICONE PIPE D.10 x 14
20 0600016028	"T" UNION
21 TSIL06/11T	TRANSPARENT SILICONE PIPE
22 TSIL06/09T	TRANSPARENT SILICONE PIPE D.6 x 9
23 0230030154	LATERAL HOLE PLUG
24 650001057	DISCHARGE PLUG
100 0600016400CL2	2 PUMPS A.A. BOILER ASSEMBLY 230V WITH INTEGRATED THERMOFUSE
101 0600016400CL3	3 PUMPS A.A. BOILER ASSEMBLY 230V WITH INTEGRATED THERMOFUSE
102 0600016420CL2	3 PUMPS A.R. BOILER ASSEMBLY 230V WITH INTEGRATED THERMOFUSE

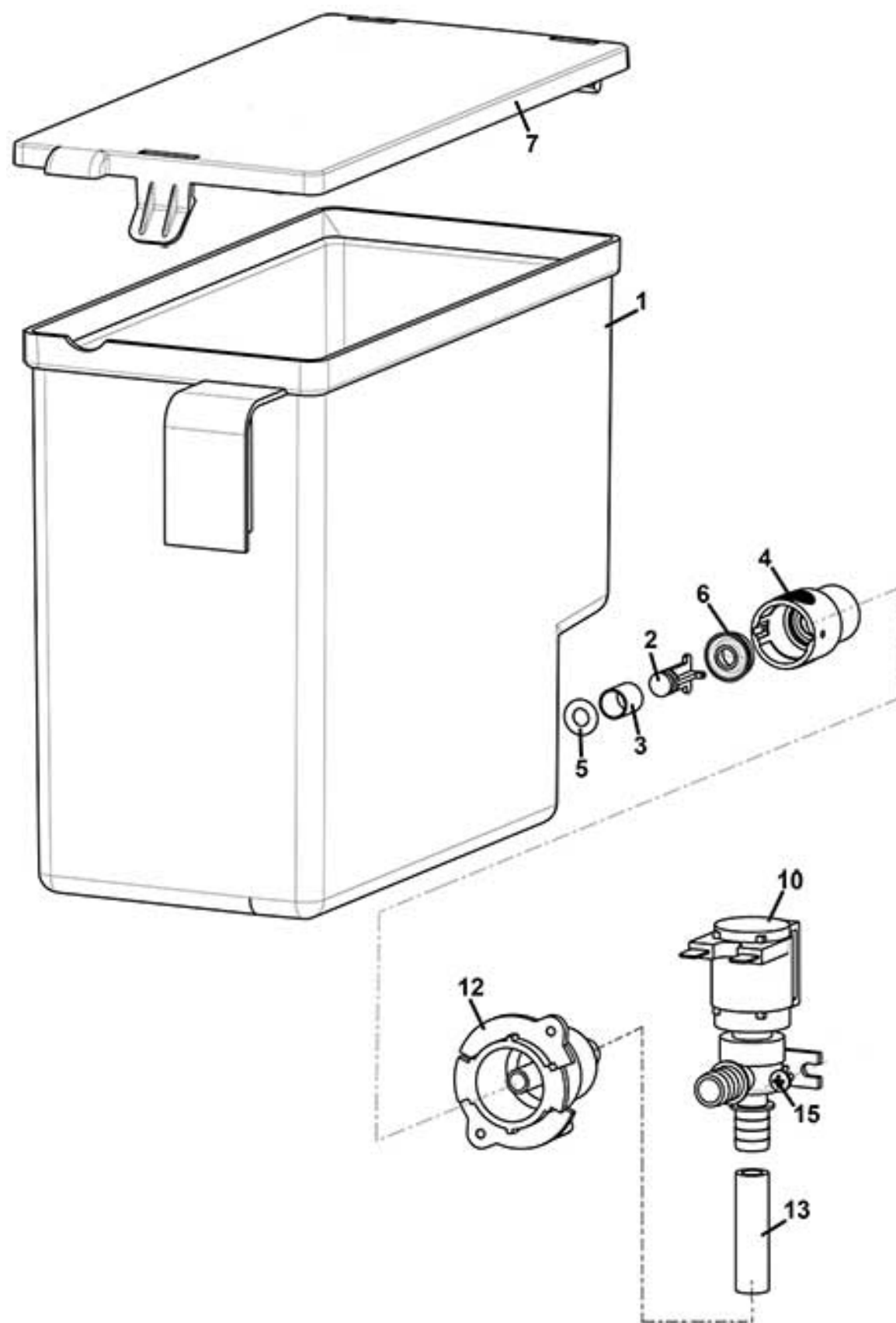


## EC I

### PRODUCT CONTAINERS

Pos. Code	Description
1 0230030500	INGREDIENT CONTAINER MM54 H190 WITH PINS
2 0230030236	MIXER GEAR
3 0230030012	AUGER PIN
4 GUA0000083	GASKET 123
5/a 0230030014	AUGER P.18
5/b 0230030013	AUGER P.9
6 VIT0005301	ELASTIC PIN D.2 x 14
7 0230030011	REAR BUSH
8 0230030520	INGREDIENT CONTAINER MM110 H190 WITH PINS
9 0230030237	MIXER GEAR mm.110
10/a 0230030041	INGREDIENT MIXER 112 mm
10/b 0230030042	INGREDIENT MIXER 112 mm LEFT OUTLET
11 VIT0003210	STAINLESS STEEL FLAT WASHER D. 8.4 x 14 x 1.6
12 0230030156	CONTAINER COVER 54 mm.
13 0230030158	CONTAINER LID 110 mm.
14/a 0230030058R	RIGHT PRODUCT FEEDER (BIG HOLE-ORANGE))
14/b 0230030044R	RIGHT PRODUCT FEEDER (SMALL HOLE-RED)
15/a 0230030057R	LEFT PRODUCT FEEDER (BIG HOLE-ORANGE)
15/b 0230030043R	LEFT PRODUCT FEEDER (SMALL HOLE-RED)
16 0230030059R	FRONTAL FEEDER (BIG HOLE-ORANGE)
17 0230030052	ANTIBRIDGING
18 0230030239	GEAR PIN FORK
19 0230030238	GEAR ROTATION PLUG
100 0230030522R	INGREDIENT CONTAINER 110MM H190 WITH PINS-AUGER 18-RIGHT OUTLET-WITH LID
101 0230030525R	INGREDIENT CONTAINER 110MM H190 WITH PINS-AUGER 18-LEFT OUTLET-WITH LID
102 0230030506R	INGREDIENT CONTAINER 54 H190- WITH PINS-AUGER 18-WITH LID
103 0230030502R	INGREDIENT CONTAINER 54 H190- WITH PINS-AUGER 9-WITH LID

EC I  
UNPLUMBED WATER TANK





## EC I

## UNPLUMBED WATER TANK

Pos. Code	Description
1 0800012005PF	SKY BLUE WATER TANK
2 0800012009	WATER TANK CLOSING PIN
3 0800012012	CLOSING PIN SPRING
4 0800012008	WATER TANK GASKET SUPPORT
5 GUA0000082	SILICONE GASKET D.6
6 GUA0002008	SILICONE GASKET DE 062
7 0230030009	CONTAINER COVER 112 mm.
10 0110001103	SOLENOID VALVE 2 WAYS
12 0800012015	FIXED TANK CONNECTION
13 TSIL07/11T	TRANSPARENT SILICONE PIPE D.7 x 11
15 VIT0002401	SCREW TCB 3.5 x 9.5
100 0800012010R	AUTONOMOUS WATER TANK (FROM POS.1 TO POS.7) <span style="float: right;">assieme</span>